

**For Residential and Commercial Applications**

Job Name		Engineer / Architect	
Job Location		Wholesaler	
Submittal Date		Contractor	

## 69 Series Compression x Male Iron Pipe Elbows

**Use:** For use with potable and non-potable water, instrumentation, hydraulic, and pneumatic systems. Designed for use with aluminum, copper, and plastic tubing\*. Not intended for use with steel tubing.

\* Plastic tubing requires a plastic insert and a sleeve (see 60PT & 63PT submittal forms for details)

**Design Features:**

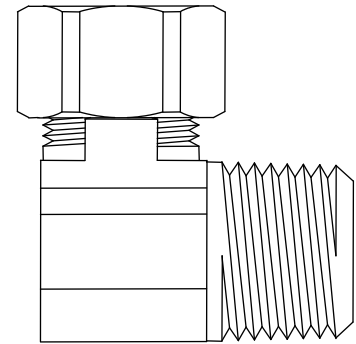
- **Little to no tube preparation.** Compression fittings do not require flaring, soldering, or other types of tube preparation
- **Available in a broad range of sizes**
- **No Lead**

**Operating Specifications:**

**Temperature:** -65° - 250°F at maximum operating temperatures

**Working Pressure:** See chart below

**Vibration:** Fair vibration resistance



WORKING PRESSURE		
PSI	Tube OD	Tube Wall (Inches)
400	1/8	0.030
300	1/4	0.030
200	3/8	0.032
200	1/2	0.032

MATERIAL SPECIFICATIONS	
<b>Body</b>	Brass
<b>Compression Sleeve</b>	Brass
<b>Compression Nut</b>	Brass
<b>Option</b>	Chrome plating

**Part Listing:**

- 69-2-2X      1/8" OD tube x 1/8" MIP
- 69-2-2-1X B    1/8" OD tube x 1/8" MIP - body only, bulk
- 69-4-4X      1/4" OD tube x 1/4" MIP
- 69-4-4-1X B    1/4" OD tube x 1/4" MIP - body only, bulk
- 69-6-6X      3/8" OD tube x 3/8" MIP
- 69-6-6X B     3/8" OD tube x 3/8" MIP, bulk
- 69-6-6X C     3/8" OD tube x 3/8" MIP, chrome plated
- 69-6-6X CB    3/8" OD tube x 3/8" MIP, chrome plated, bulk
- 69-6-6X CD    3/8" OD tube x 3/8" MIP, chrome plated, carded
- 69-6-6-1X B    3/8" OD tube x 3/8" MIP - body only, bulk
- 69-6-6-1X CB   3/8" OD tube x 3/8" MIP - body only, chrome plated, bulk

*This specification and all information contained herein is the confidential and exclusive property of BrassCraft Manufacturing Co., and shall not be disclosed to others without the written consent of BrassCraft Mfg. Co. This specification must be returned to BrassCraft Mfg. Co. if requested.*

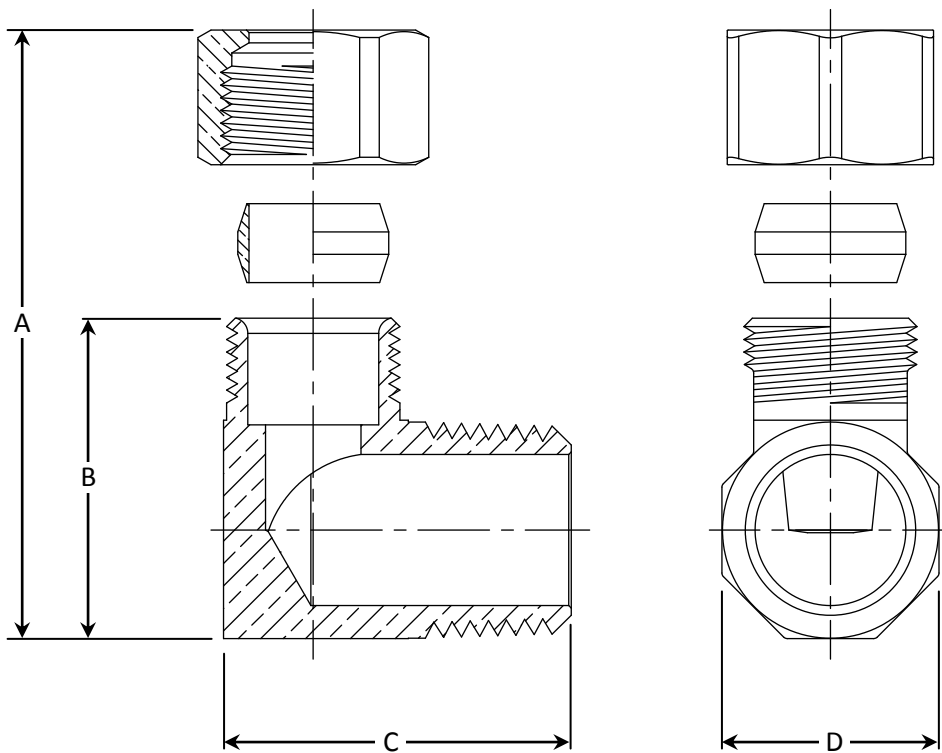


## 69 Series Compression x Male Iron Pipe Elbows

**Part Listing (con't):**

- 69-8-8X 1/2" OD tube x 1/2" MIP
- 69-8-8X C 1/2" OD tube x 1/2" MIP, chrome plated
- 69-8-8-1X B 1/2" OD tube x 1/2" MIP - body only, bulk

<b>PART DIMENSIONS (Inches)</b>				
<b>Model</b>	<b>DIM. A</b>	<b>DIM. B</b>	<b>DIM. C</b>	<b>DIM. D</b>
69-2-2X	.95	0.74	0.78	.46
69-4-4X	1.22	0.94	1.13	.58
69-6-6X	1.34	1.07	1.13	.69
69-8-8X	1.50	1.17	1.37	.82



**Listings & Certifications:**

- No-lead product CSA listed to NSF 372 (Class 6853-01)



*This specification and all information contained herein is the confidential and exclusive property of BrassCraft Manufacturing Co., and shall not be disclosed to others without the written consent of BrassCraft Mfg. Co. This specification must be returned to BrassCraft Mfg. Co. if requested.*

**BrassCraft®**